

**JPS Aircooled GmbH**  
**Made in Switzerland**  
 www.jps-aircooled.com | jpsaircooled@gmail.com  
 Kantonsstr. 45 | 6232 Geuensee | Switzerland  
 CHE-428.001.066 MWST

**Preisliste |**  
**Pricelist**  
 excl. Mwst | excl.  
 Vat

**EURO Kunden Preisliste**

## 356-912 Teile/Parts

Precision Parts Made in Switzerland

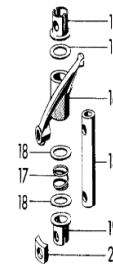
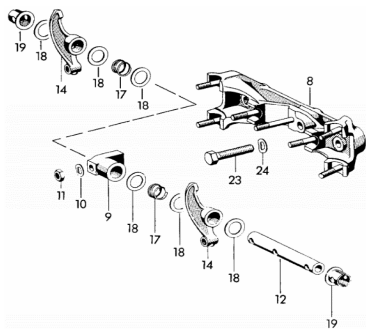
Zylinderköpfe - <i>Cylinderheads</i>		
<b>JPS Aircooled 356 – 912 CNC Zylinderkopf "Sport"</b> für Ø 83.5/86mm Kolben & Zylinder, fertig zum Einbauen <i>JPS Aircooled 356 – 912 CNC Billet Cylinderhead "Sport"</i> <i>for Ø 83.5/86mm Piston &amp; Cylinders, ready to install</i>	1 Paar 1 pair	€ 3'990
<b>JPS Aircooled 356 – 912 CNC Zylinderkopf "Sport Plus"</b> für Ø 91/93/94mm Kolben & Zylinder, fertig zum Einbauen <i>JPS Aircooled 356 – 912 CNC Billet Cylinderhead "Sport Plus"</i> <i>for Ø 91/93/94mm Piston &amp; Cylinders, ready to install</i> <b>Option:</b> Doppelzündung <i>Option: Twin spark</i>	1 Paar 1 pair  +	€ 3'990  € 150
<b>JPS Aircooled 356 – 912 CNC Zylinderkopf "Sport Plus"</b> Passend zu <b>Willhoit</b> Kolben und Zylinder 91 mm Motorenkomponenten, fertig zum Einbauen <i>JPS Aircooled 356 – 912 CNC Billet Cylinder Head "Sport Plus"</i> <i>Suitable for Willhoit piston and cylinder 91 mm Engine Components, ready to install</i>	1 Paar 1 pair	€ 4'290
<b>JPS Aircooled 356 – 912 CNC Zylinderkopf "Rennversion"</b> fertig zum Einbauen <i>JPS Aircooled 356 – 912 CNC Billet Cylinderhead "Racing Head"</i> <i>ready to install</i>	1 Paar 1 pair	€ 4'790
<b>JPS Aircooled 356 – 912 Ventildeckel</b> <i>JPS Aircooled 356 - 912 Valve Cover</i> <b>Option:</b> Schlauchanschluss/Entlüfter <i>Option: breather connection</i> <b>Option:</b> Verschluss Stopfen <i>Option: sealing plug</i>	1 Paar 1 pair  1 pcs  1 pcs	€ 595  € 14  € 8

<b>Kolben &amp; Zylinder - Pistons &amp; Cylinder</b>		
<b>JPS Aircooled 91mm Kolben, 1925cc, Verdichtung 10.5:1,</b> CNC gefertigte High-Tech Kolben by Wössner. <i>JPS Aircooled 91mm Pistons, 1925cc, compression 10,5:1, CNC milled high-tech Pistons by Wössner</i>	1 Set	€ 1'495
<b>JPS Aircooled 94mm Kolben, 2054 cc, Verdichtung 10.5:1,</b> CNC gefertigte High-Tech Kolben by Wössner. <i>JPS Aircooled 94mm Pistons, 2054cc, compression 10,5:1, CNC milled high-tech Pistons by Wössner</i>	1 Set	€ 1'495
<b>JPS Aircooled 94mm Kolben, 2332cc, 19 Kolbenbolzen +DZ, Verdichtung 10.5:1, für Langhubkurbelwelle,</b> CNC gefertigte High-Tech Kolben by Wössner. <i>JPS Aircooled 94mm Pistons, 2332cc, 19 wrist pin + twin spark, compression 10,5:1, for long stroke crankshaft, CNC milled high-tech Pistons by Wössner</i>	1 Set	€ 1'595
<b>Option: Doppelzündung</b> <i>Option: Twin spark</i>	+	€ 100
<b>JPS Aircooled 91mm RENN-Kolben, 1925cc, Verdichtung 12.5:1,</b> CNC gefertigte High-Tech Kolben by Wössner. <i>JPS Aircooled 91mm RACE-Pistons, 1925cc, compression 12,5:1, CNC milled high-tech Pistons by Wössner</i>	1 Set	€ 1'595
<b>Option: DLC Beschichtung am Kolbenbolzen</b> <i>Option: DLC coating on wrist pin</i>	+	€ 100
<b>JPS Aircooled 82.95mm RENN-Kolben, 1599cc (FIA Europa), Verdichtung ca.12:1,</b> CNC gefertigte High-Tech Kolben by Wössner. <i>JPS Aircooled 82.95mm Pistons, 1599cc (FIA Europe), compression ca.12:1, CNC milled high-tech Pistons by Wössner</i>	1 Set	€ 1'595
<b>JPS Aircooled 83.5mm RENN-Kolben, 1620cc (SCCA USA), Verdichtung ca.12:1,</b> CNC gefertigte High-Tech Kolben by Wössner. <i>JPS Aircooled 82.95mm Pistons, 1620cc (SCCA USA), compression ca.12:1, CNC milled high-tech Pistons by Wössner</i>	1 Set	€ 1'595
<b>JE 86mm Kolben &amp; Durabar Zylinder, 1720cc, Verdichtung 10.3:1</b> <i>JE 86mm Pistons &amp; Durabar Cylinder, 1720cc, compression 10.3:1</i>	1 Set	€ 2'190
<b>91mm Kolben &amp; Zylinder 1925cc</b> <i>91mm Pistons &amp; Cylinder 1925cc</i>	1 Set	€ 2'490
<b>93mm Kolben &amp; Zylinder 2011ccm (74x93mm)</b> JE-Schmiedekolben Ø 93mm, Gusszylindern Ø 93mm <i>93mm Pistons &amp; Cylinder 2011cc (74x93mm) JE-Forged Pistons Ø 93mm, Cast Cylinder Ø 93mm</i>	1 Set	€ 3'300
<b>JPS Aircooled Zylinderkopf Stehbolzen und Muttern Set</b> <b>Für alle 93/94mm Kolben und Zylinder notwendig.</b> - 16 Spezial-Zylinderkopfstehbolzen - 8 Stück Spezial-Zylinderkopfmutter von Porsche <b>im Austausch!</b> - 8 Stück Spezial-Zylinderkopfmutter neu <i>- 16 Special Cylinder Head studs</i> <i>- 8 pcs special Cylinder Head nuts in <b>exchange!</b></i> <i>- 8 pcs special Cylinder Head nuts new</i>	1 Set	€ 398

<b>93mm Kolben &amp; Zylinder 2011ccm (74x93mm)</b> JE-Schmiedekolben Ø 93mm, Gusszylindern Ø 93mm <i>93mm Pistons &amp; Cylinder 2011cc (74x93mm), JE-Forged Pistons Ø 93mm, Cast Cylinder Ø 93mm</i>	1 Set	€ 3'300
<b>94mm Kolben &amp; Zylinder</b> - Gusszylindern Ø 94mm empfohlen, da wir sehr gute Erfahrungen mit diesen Zylindern gemacht haben. -94mm Wössner Kolben, CNC gefertigt ein High-Tech Produkt, <i>'JPS Aircooled 94mm Pistons and Cylinder (76.5x94mm = 2124cc)</i> <i>Cast Cylinder Ø 94mm</i> <i>94mm Pistons made by Wössner/Germany</i> <i>(Big improvement, state of the art - not comparable with JE Pistons, complete CNC manufactured, and antifriction coated)</i>	1 Set	
<b>Rennkolben</b> Ø82,5mm, Ø82,95mm, Ø83,5mm, Nur Rennkolben. Zylinder müssen separat bestellt werden <i>Racing Pistons, Ø82,5mm, Ø82,95mm, Ø83,5mm, Pistons only. Cylinder have to be ordered seperatly</i>	1 Set	€ 1'690
<b>Nicasil Aluminium Zylinder</b> Nickies von LN Engineering CNC-Billet-NSC-Zylinder aus massivem Aluminium bieten eine höhere Festigkeit und Kühlung. Die 93 mm und 94 mm Porsche 356 Nickies sind die beste Lösung für JPS Sport Plus 93/94 Billet Zylinderköpfe. Ohne Kolben. Kolben müssen separat bestellt werden. <i>Nicasil Aluminium Cylinder. LN Engineering's Nickies solid aluminum CNC billet NSC-plated cylinders provide increased strength and cooling. The 93mm and 94mm Porsche 356 Nickies are the best solution for JPS Sport Plus 93/94 Billet Cylinder Heads. Cylinder only</i> <i>Pistons have to be ordered seperatly</i>	1 Set	€ 2'990
<b>Nicasil Aluminium Zylinder 91mm</b> Nickies von LN Engineering CNC-Billet-NSC-Zylinder aus massivem Aluminium bieten eine höhere Festigkeit und Kühlung. Ohne Kolben. Kolben müssen separat bestellt werden. <i>Nicasil Aluminium Cylinder 91mm. LN Engineering's Nickies solid aluminum CNC billet NSC-plated cylinders provide increased strength and cooling. Cylinder only, Pistons have to be ordered seperatly</i>	1 Set	€ 2'790

<b>Ansaugkrümmer - Manifolds</b>		
<b>JPS Aircooled Ansaugkrümmer für Weber 48 IDA</b> <i>JPS Aircooled intake manifolds for Weber 48 IDA</i>	1 Paar 1 pair	€ 460
<b>JPS Aircooled Venturi für Solex 40 P-II</b> <i>Venturi 34/35/36 for Solex 40 PII-4</i>	1 Stk 1 pcs	€ 26
<b>JPS Aircooled Ansaugkrümmer für Weber 44 IDF und Solex 40 P-II</b> <i>JPS Aircooled intake manifolds for Weber 44 IDF und Solex 40 P-II</i>	1 Paar 1 pair	€ 460
<b>JPS Aircooled Ansaugkrümmer für Weber 48 IDF</b> <i>JPS Aircooled intake manifolds for Weber 48 IDF</i>	1 Paar 1 pair	€ 495
<b>Original Solex 40 P-II Ansaugkrümmer modifiziert, im Austausch</b> <i>Original Solex 40 P-II manifolds modified, in exchange</i>	1 Paar 1 pair	€ 295
<b>Option: bearbeitet für 42,43,44mm</b> <i>Option: open to 42,43,44mm</i>	+	€ 120

<b>Ventiltrieb - Valve Train</b>		
<b>JPS Aircooled Stößelstangen</b> , original Länge, 1 Satz <i>JPS Aircooled Pushrods, stock length, 1 Set</i>	1 Set	€ 250
<b>JPS Aircooled Stößelstangen</b> , Fertigung auf Mass, 1 Satz <i>JPS Aircooled Pushrods, in custom length, 1 Set</i>	1 Set	€ 275
<b>Stößelsschutzrohr</b> (pro Motor 8Stk nötig) <i>Pushrod Tubes (for one engine 8pcs nessesary)</i>	1 Stk 1 pcs	€ 21
<b>Stößel</b> für 356 - 912 <i>Lifter for 356 - 912</i>	1 Stk 1 pcs	€ 45
<b>JPS Aircooled Kipphebelwelle Lang</b> Zeichnung Pos. 12, entspricht 616 105 321 00 <i>JPS Aircooled Rocker shaft long, picture #12, similar to 616 105 321 00</i>	1 Stk 1 pcs	€ 60
<b>JPS Aircooled Kipphebelwelle Kurz</b> Zeichnung Pos. 13, entspricht 616 105 325 00 <i>JPS Aircooled Rocker shaft short, picture #13, similar to 616 105 325 00</i>	1 Stk 1 pcs	€ 54
<b>JPS Aircooled Klemmhülse geschlitzt</b> Zeichnung Pos. 19, entspricht 616 105 312 00 <i>JPS Aircooled Spacer for Rockershaft, picture #19, similar to 616 105 312 00</i>	1 Stk 1 pcs	€ 16
<b>JPS Aircooled Radiusklemme</b> für Kipphebelwelle Zeichnung Pos. 20, entspricht 616 105 314 00 <i>JPS Aircooled Radius Washer, picture #20, similar to 616 105 314 00</i>	1Stk 1pcs	€ 9
<b>JPS Aircooled Kipphebelwllen Kit</b> , bestehend aus: 2 Stk JPS Aircooled Kipphebelwelle Lang (Pos.12) 4 Stk JPS Aircooled Kipphebelwelle Kurz (Pos.13) 12 Stk JPS Aircooled Klemmhülse geschlitzt (Pos.19) 12 Stk JPS Aircooled Radiusklemme (Pos.20) <i>JPS Aircooled Rocker shaft kit, including: 2 pcs JPS Aircooled Rocker shaft long (#12) 4 pcs JPS Aircooled Rocker shaft short (#13) 12 pcs JPS Aircooled Spacer (#19) 12 pcs JPS Aircooled Radius Washer (#20)</i>	1 Set	€ 549



<b>Carerra Bremsen - Carerra Brakes</b>		
<b>Belüftete Carrera Bremsen</b> <i>Ventilated Carerra Brakes</i>	1 Paar 1 pair	€ 4'390
<b>Carrera Bremsen</b> <i>Carerra Brakes</i>	1 Paar 1 pair	€ 3'890

<b>Ölsumpf &amp; Ölkühler - Oil- Sump &amp; Cooler</b>		
<b>JPS Aircooled Ölsumpf Kit 356-912</b> <i>JPS Aircooled Oilsump Kit 356-912</i>	1 Stk 1 pcs	€ 235
<b>Aluminium OEM Ölkühler</b> <i>Aluminium OEM Oil Cooler with studs</i>	1 Stk 1 pcs	€ 545
<b>Aluminium Ölkühler</b> <i>Aluminium Oil Cooler</i>	1 Stk 1 pcs	€ 595

<b>High Performance Schwungrad - High Performance Flywheel</b>		
<b>JPS Aircooled OEM Porsche 356 - 6V, High Performance Schwungrad 3.2 kg</b> <i>JPS Aircooled OEM Porsche 356 - 912, High Performance Flywheel 3.2 kg</i>	1 Stk 1 pcs	€ 745
<b>JPS Aircooled OEM Porsche 356 - 6V, High Performance Schwungrad 4.6 kg.</b> <i>JPS Aircooled OEM Porsche 356 - 912, High Performance Flywheel 4.6 kg</i>	1 Stk 1 pcs	€ 695
<b>JPS Aircooled OEM Porsche 356 - 6V Stock</b> <i>JPS Aircooled OEM Porsche 356 - 6V Stock</i>	1 Stk 1 pcs	€ 560
<b>JPS Aircooled OEM Porsche 912 - 12V, Stock 6.3kg</b> <i>JPS Aircooled OEM Porsche 912 - 12V, Stock 6.3kg</i>	1 Stk 1 pcs	€ 560
<b>Hohlschraube für Schwungrad</b> <i>Glent Nut</i>	1 Stk 1 pcs	€ 54

<b>Teile für Solex Vergaser - Solex Carborator Parts</b>		
<b>JPS Aircooled Rennansaugtrichter für Solex 40-P11</b> <i>JPS Aircooled Racing Velocity Stacks for Solex 40 P11</i>	1 Paar 1 pair	€ 430
<b>JPS Aircooled 34mm, 35mm, 36mm Venturi für Solex 40-P11</b> <i>JPS Aircooled 34mm, 35mm, 36mm Venturi, for Solex 40-P11</i>	1Stk 1pcs	€ 26
<b>Original Solex 40 P-II Ansaugkrümmer, Info und preis siehe unter Ansaugkrümmer</b> <i>Original Solex 40 P-II manifolds, Info and price, have a look at intake manifolds</i>	1 Paar 1 pair	
<b>Luftfilter Solex 40 Sport mit Ansaugtrichter</b> <i>Airfilter Solex 40 with velocity stack</i>	1 Paar 1 pair	€ 539

<b>Teile für Weber Vergaser - Weber Carborator Parts</b>		
<b>Vergaser Weber 44 IDF neu original</b> <i>Carburetor Weber 44 IDF new made in Spain</i>	1 Paar 1 pair	€ 958 1Stk €
<b>JPS Aircooled 38mm Venturi für Weber 48 IDF</b> <i>JPS Aircooled 38mm Venturi, for Weber 48 IDF</i>	1Stk 1pcs	€ 21.50
<b>Luftfilter für 44 IDF, beste Qualität in top Optik, Edelstahl</b> <i>Classic style oval mesh air cleaner for IDF</i>	1 Paar 1 pair	€ 350
<b>Alternativ, auswaschbarer Luftfilter Einsatz für Weber, aus Metallgewebe Vlies ähnlich K&amp;M</b> <i>Washable air filter insert, metal mesh simmelar to K&amp;M</i>	1 Paar 1 pair	€ 39

<b>Diverse Motoren Teile - Engine Parts diverse</b>		
<b>JPS Aircooled Auspuff Dichtung Kupfer</b> CNC Lasergeschnitten, Präzisions Kupfer Dichtung, 1 Set = 4 Dichtungen <i>JPS Aircooled Exhaust gasket, 1 set = 4 pcs</i>	1 Set	€ 24
<b>JPS Aircooled Benzindeckel Verschlussdichtung, mit Entlüftung</b> <i>JPS Aircooled Fuel pump cover with breather</i>	1 Stk 1 pcs	€ 58
<b>JPS Aircooled Zenith Seitendeckel rund</b> <i>JPS Aircooled round side cover</i>	1 Stk 1 pcs	€ 39.50
<b>Vintage Speed Auspuff, 356-912 Porsche Sebring Style</b> <i>Vintage Speed Exhaust, 356-912 Porsche Sebring Style</i>	1 Stk 1 pcs	on request
<b>Zündverteiler auf Basis 1-2-3 Ignition Bluetooth</b> <i>Distributor based on 1-2-3 Ignition Bluetooth</i>	1 Stk 1 pcs	€ 449
<b>Doppelzündverteiler auf Basis 1-2-3 Ignition Tune</b> <i>Twin Spark Distributor based on 1-2-3 Ignition Tune</i>	1 Stk 1 pcs	€ 1'300
<b>Nockenwelle</b> <i>JPS Aircooled Camshaft torque master</i>	1 Stk 1 pcs	€ 495
<b>Nockenwelle SX-1 Porsche 356</b> <i>Camshaft torque master SX-1 Porsche 356</i>	1 Stk 1 pcs	€ 395
<b>Verstellbares Nockenwellenantriebsrad</b> <i>Adjustable Cam Gear</i>	1 Stk 1 pcs	€ 200
<b>JPS Aircooled Unterlagsscheiben</b> ähnlich wie 616 101 191 00, erhältlich 2/3/4 mm dick <i>JPS Aircooled Washer simmelar to 616 101 191 00, available 2/3/4 mm thick</i>	1 Stk 1 pcs	€ 3.5
<b>Hauptlager Satz (Stahlrücken Lager) Standard</b> <i>Main bearing (Steel back bearings)</i>	1 Set	€ 358
<b>Pleuellagersatz Standard</b> <i>Rod bearing</i>	1 Set	€ 79